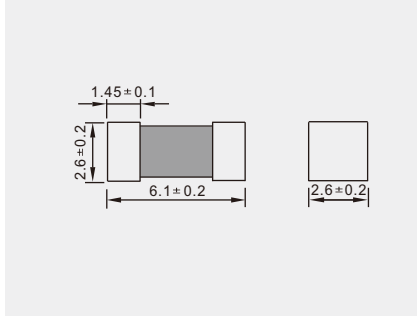
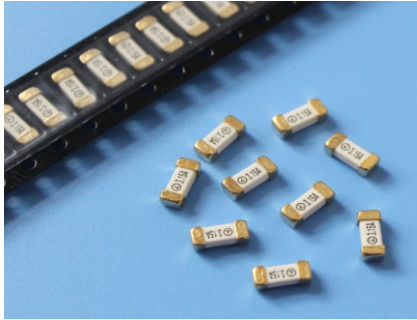


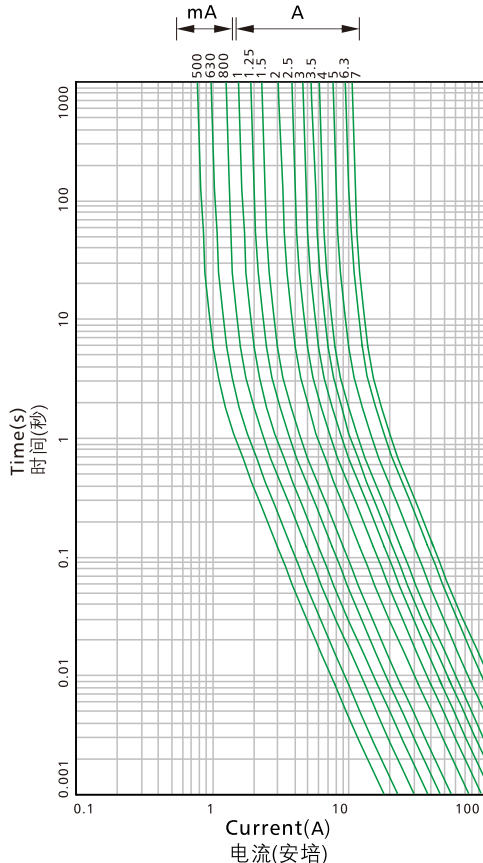


贴片保险丝(抗浪涌型)

SMD Fuse (High Inrush Current Withstand) 250V/125V



Time-Current Characteristics
电流-时间曲线图



目录编号 Catalog No.	额定电流 Ampere Rating	额定电压 Voltage Rating	熔化热能 ¹ _T Melting Integral (A ² .S)
24E0100A/B	100mA	250V/125V	0.04
24E0125A/B	125mA	250V/125V	0.06
24E0160A/B	160mA	250V/125V	0.08
24E0200A/B	200mA	250V/125V	0.09
24E0250A/B	250mA	250V/125V	0.11
24E0300A/B	300mA	250V/125V	0.13
24E0315A/B	315mA	250V/125V	0.14
24E0350A/B	350mA	250V/125V	0.16
24E0400A/B	400mA	250V/125V	0.26
24E0500A/B	500mA	250V/125V	0.5
24E0630A/B	630mA	250V/125V	0.8
24E0750A/B	750mA	250V/125V	1.3
24E0800A/B	800mA	250V/125V	1.5
24E1100A/B	1A	250V/125V	2.3
24E1125A/B	1.25A	250V/125V	3.2
24E1150A/B	1.5A	250V/125V	5.6
24E1160A/B	1.6A	250V/125V	5.9
24E1200A/B	2A	250V/125V	7.8
24E1250A/B	2.5A	250V/125V	10
24E1300A/B	3A	250V/125V	22
24E1315A/B	3.15A	250V/125V	23
24E1350A/B	3.5A	250V/125V	26
24E1400A/B	4A	250V/125V	39
24E1500A/B	5A	250V/125V	58
24E1600A/B	6A	250V/125V	95
24E1630A/B	6.3A	250V/125V	110
24E1700A/B	7A	250V/125V	120

目录编号: Catalog No.A:250V B:125V

认证 Approvals	电流范围 Ampere Range	证书号 Certificate No.
	100mA~7A	E221465

额定分断能力:

Interrupting Rating:

50 Amperes at 250V AC(100mA~7A)

50 Amperes at 125V AC/DC(100mA~7A)

工作温度 Operating Temperature

-40°C~+125°C

材料 Materials

Body:ceramic

Termination:gold plated brass

焊接方法 Soldering Method

Solder reflow:260°C,10 s max.

包装 Packaging

Automaton taped 1000PCS per reel,5000PCS per carton.

电气特性 Electrical Characteristics:

额定电流的% of Ampere Rating	熔断时间 Opening Time
100%	4 hours Min
200%	1s~60s
800%	20ms~100ms