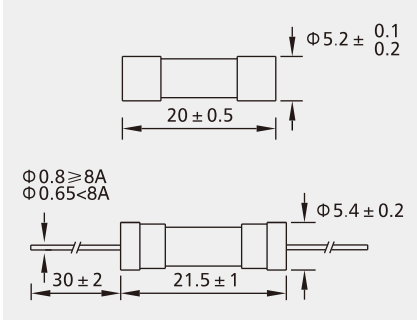
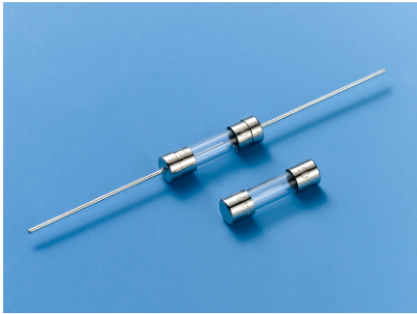
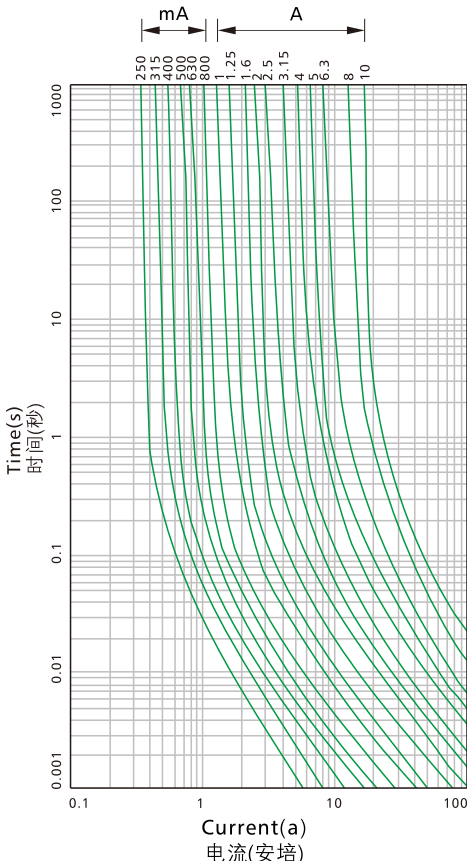




5D $\Phi 5.2 \times 20$ RoHS Compliant



Time-Current Characteristics
电流-时间曲线图



玻璃保险丝管(快断型)

Glass Tube Fuse (Fast-Acting) 250V/125V

目录编号 Catalog No.	额定电流 Ampere Rating	额定电压 Voltage Rating	熔化热能 ² Melting Integral (A ² .S)
5D0100A/B	100mA	250V/125V	0.002
5D0125A/B	125mA	250V/125V	0.003
5D0160A/B	160mA	250V/125V	0.005
5D0200A/B	200mA	250V/125V	0.01
5D0250A/B	250mA	250V/125V	0.02
5D0300A/B	300mA	250V/125V	0.04
5D0315A/B	315mA	250V/125V	0.045
5D0350A/B	350mA	250V/125V	0.055
5D0400A/B	400mA	250V/125V	0.07
5D0500A/B	500mA	250V/125V	0.1
5D0630A/B	630mA	250V/125V	0.2
5D0750A/B	750mA	250V/125V	0.35
5D0800A/B	800mA	250V/125V	0.45
5D1100A/B	1A	250V/125V	0.9
5D1125A/B	1.25A	250V/125V	1.3
5D1150A/B	1.5A	250V/125V	1.6
5D1160A/B	1.6A	250V/125V	2.5
5D1200A/B	2A	250V/125V	5.8
5D1250A/B	2.5A	250V/125V	7.6
5D1300A/B	3A	250V/125V	8.1
5D1315A/B	3.15A	250V/125V	11
5D1350A/B	3.5A	250V/125V	19
5D1400A/B	4A	250V/125V	28
5D1500A/B	5A	250V/125V	40
5D1600A/B	6A	250V/125V	50
5D1630A/B	6.3A	250V/125V	64
5D1800A/B	8A	250V/125V	133
5D2100A/B	10A	250V/125V	242

目录编号: Catalog No.A:250V B:125V

带引线产品目录编号后加 "P"

Suffix "P" for Lead Type After Catalog No.

认证 Approvals	电流范围 Ampere Range	证书号 Certificate No.
cUL US	100mA~10A(125V)	E221465
cUL US	100mA~3.5A(250V)	E221465
cUL US	4A~10A(250V)	E221465

额定分断能力:

Interrupting Rating:

10000 Amperes at 125V AC

35 Amperes at 250V AC(100mA~1A)

100 Amperes at 250V AC(1.25A~10A)

测试标准:

Testing Standard: UL248-14

电气特性 Electrical Characteristics:

额定电流的% % of Ampere Rating	熔断时间 Opening Time
100%	4 hours Min(大于4小时)
135%	1 hour Max(小于1小时)
200%	5 s Max(小于5秒)