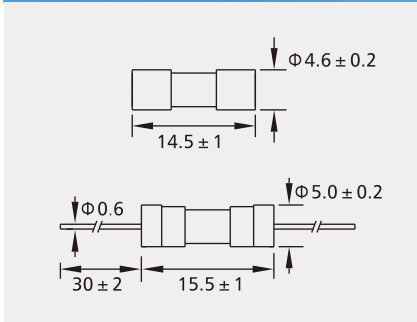
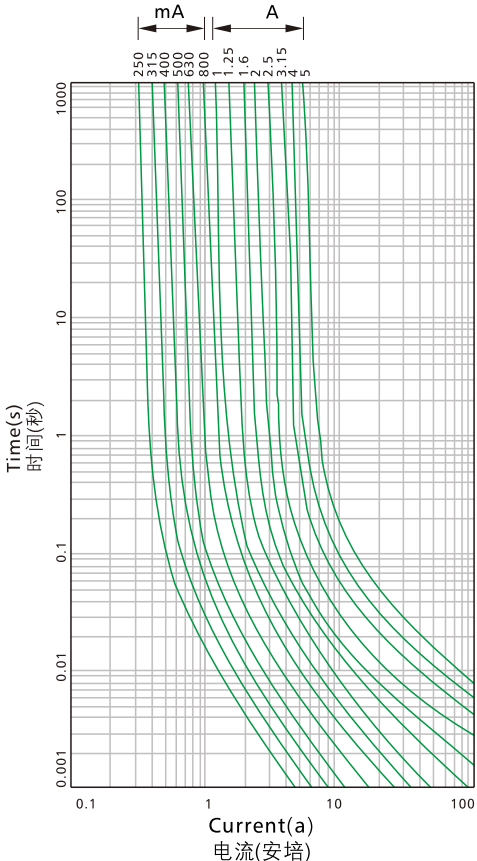




# 4D $\Phi 4.6 \times 15$ RoHS Compliant



Time-Current Characteristics  
电流-时间曲线图



## 玻璃保险丝管(快断型)

### Glass Tube Fuse (Fast-Acting) 250V/125V

目录编号 Catalog No.	额定电流 Ampere Rating	额定电压 Voltage Rating	熔化热能 <sup>2</sup> T Melting Integral (A <sup>2</sup> .S)
4D0100A/B	100mA	250V/125V	0.002
4D0125A/B	125mA	250V/125V	0.003
4D0160A/B	160mA	250V/125V	0.008
4D0200A/B	200mA	250V/125V	0.015
4D0250A/B	250mA	250V/125V	0.02
4D0300A/B	300mA	250V/125V	0.035
4D0315A/B	315mA	250V/125V	0.05
4D0350A/B	350mA	250V/125V	0.06
4D0400A/B	400mA	250V/125V	0.07
4D0500A/B	500mA	250V/125V	0.10
4D0630A/B	630mA	250V/125V	0.22
4D0750A/B	750mA	250V/125V	0.30
4D0800A/B	800mA	250V/125V	0.37
4D1100A/B	1A	250V/125V	0.80
4D1125A/B	1.25A	250V/125V	1.3
4D1150A/B	1.5A	250V/125V	1.9
4D1160A/B	1.6A	250V/125V	2.2
4D1200A/B	2A	250V/125V	3.2
4D1250A/B	2.5A	250V/125V	5.1
4D1300A/B	3A	250V/125V	6.7
4D1315A/B	3.15A	250V/125V	7.8
4D1350A/B	3.5A	250V/125V	10
4D1400A/B	4A	125V	15
4D1500A/B	5A	125V	26

目录编号: Catalog No.A:250V B:125V

带引线产品目录编号后加 "P"

Suffix "P" for Lead Type After Catalog No.

认证 Approvals	电流范围 Ampere Range	证书号 Certificate No.
	100mA ~ 5A(125V)	E221465
	100mA ~ 1A(250V)	E221465
	1.25A ~ 3.5A(250V)	E221465

#### 额定分断能力:

#### Interrupting Rating:

10000 Amperes at 125V AC

35 Amperes at 250V AC(100mA~1A)

100 Amperes at 250V AC(1.25A~5A)

#### 测试标准:

Testing Standard: UL248-14

#### 电气特性 Electrical Characteristics:

额定电流的% % of Ampere Rating	熔断时间 Opening Time
100%	4 hours Min (大于4小时)
135%	1 hour Max(小于1小时)
200%	5 s Max(小于5秒)